

ISOLDE MKIII Turntable

User Guide

Congratulations on your new CONSONANCE!

Opera Audio products are based on a simple philosophy:

The component shall reproduce the original musical sound, purely and naturally.

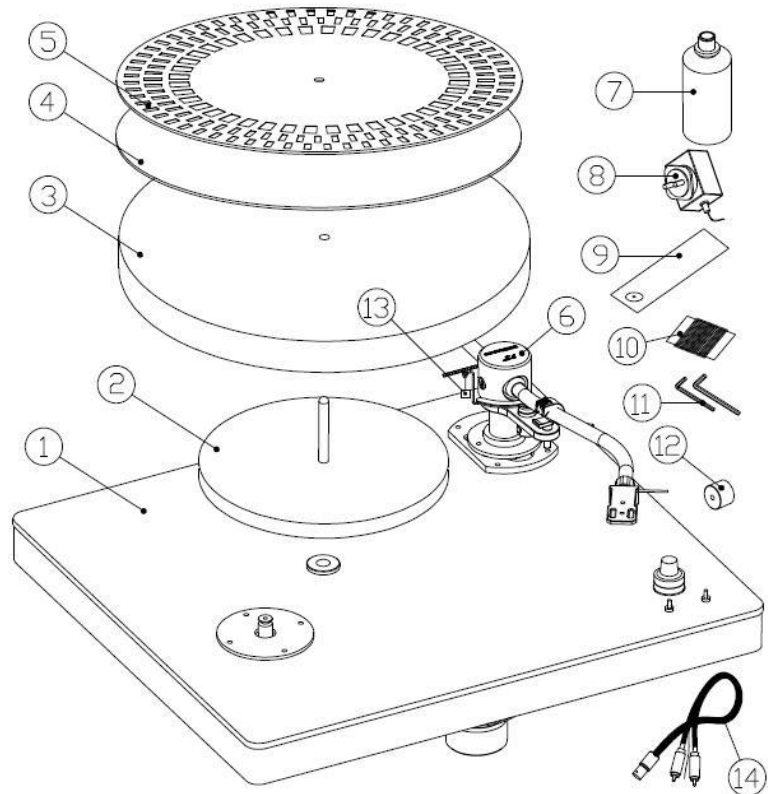
The products are easy to operate and are manufactured according to the best quality principles.

All CONSONANCE products are created with acoustical instruments in a concert situation as point of reference. The music is reproduced exactly like the original and is limited only by the quality of the recording.

Our aim is to give you the best possible music experience!

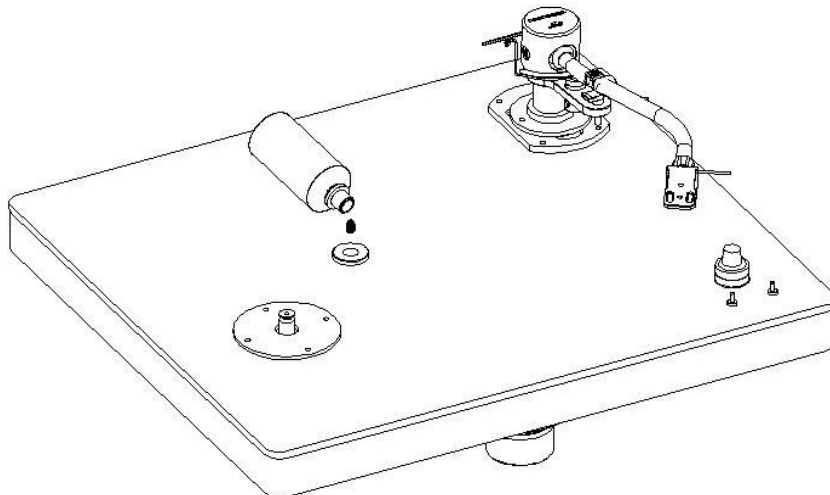
Part List

1. Plinth
2. Driven wheel
3. Platter
4. Mat
5. Strobe Disc
6. Tonearm
7. Lubrication oil
8. DC12V linear power supply for Motor
9. Protractor
10. Belt
11. Allen wrench
12. Counterweight
13. Anti-skate weight
14. Tonearm cable



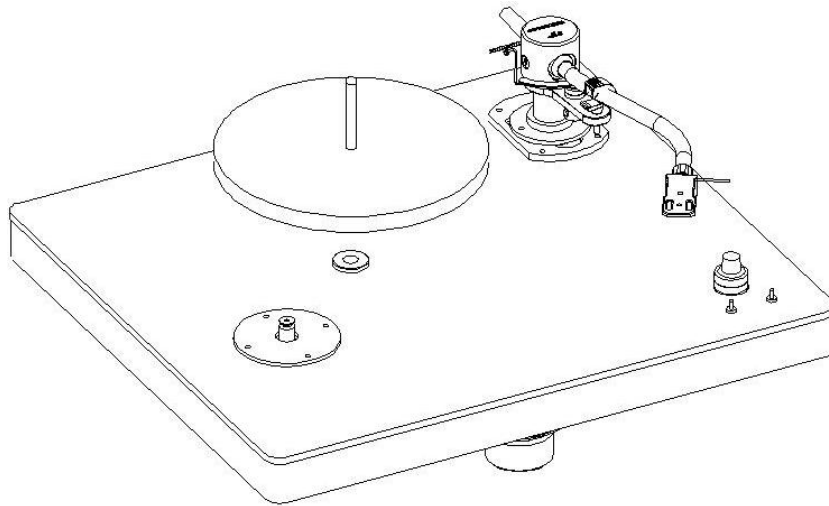
Assembling the Turntable

1. Open the box and take out the turntable plinth. Fill a few drops of lubricant into the bearing base

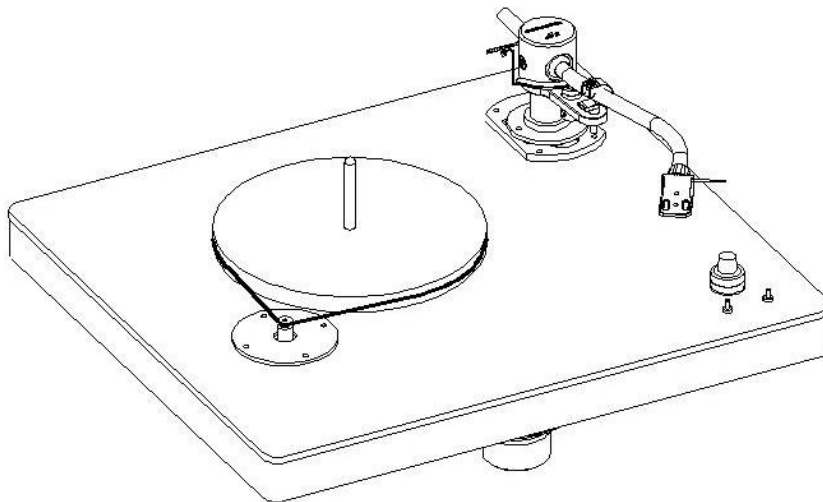


2. Installing the driven wheel.

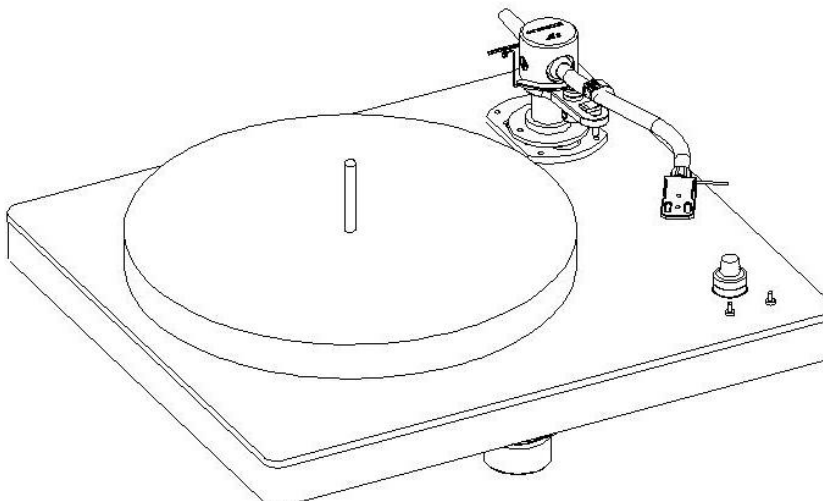
Pickup the driven wheel (Part2) from the package after put on the cotton gloves, locate the bearing carefully and gently into the bearing house until it seats fully and rotate smooth.



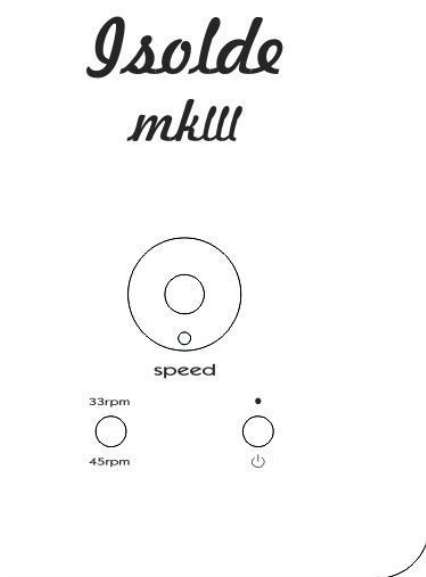
3. Take out one of the drive 'belts' and run it round the pulley and the driven wheel.



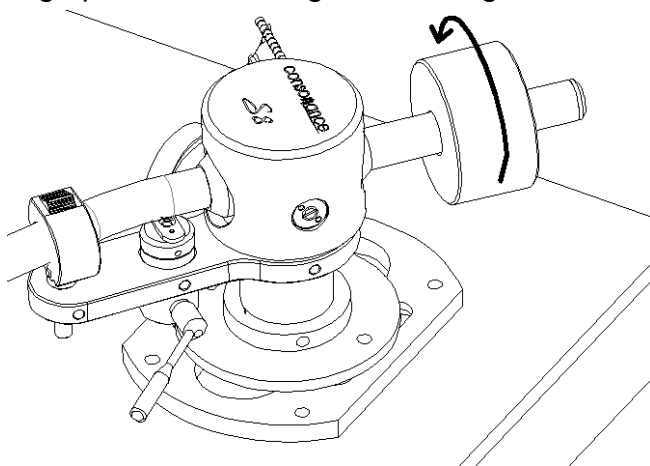
4. Install the platter and the mat.



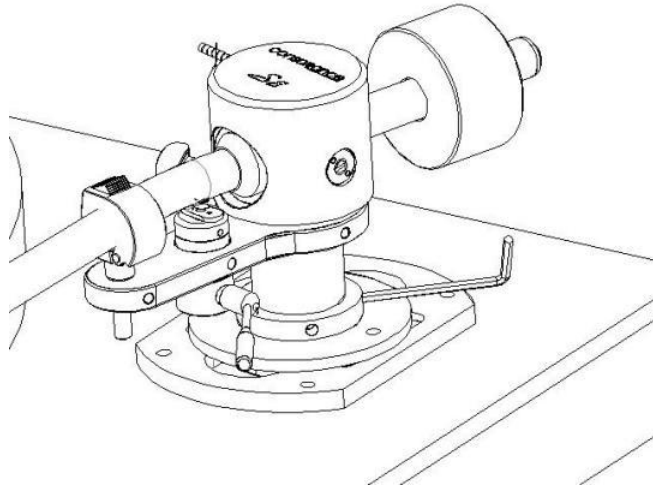
5. From left to right is: 33/45 speed selection switch, speed adjustment knob, power on/off switch. Put the Strobe Disc on the platter, and adjust the speed controller knob to get the 33.3rpm or 45rpm. The corresponding circle on Strobe Disc will display stable stripes.



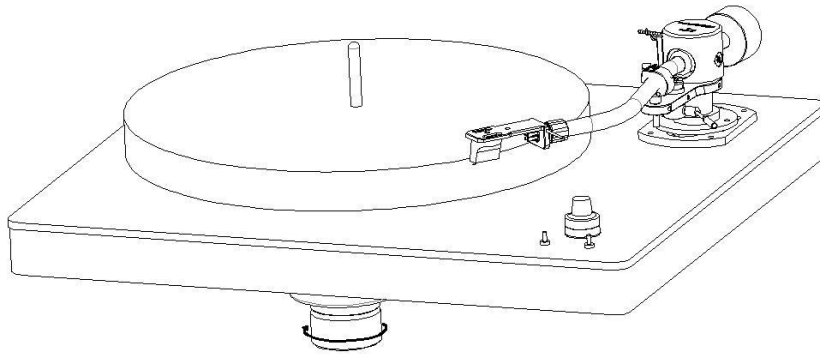
6. Install the cartridge and make sure the overhang is 17.5mm. Install the counterweight, rotate, set the tracking force according to the needle pressure gauge. Hang up Anti-skate weight according to the tracking force.



7. Use the wrench to loosen the screw on the side of the armbase to adjust the VTA. After the adjustment is completed, re-tighten the screw.



8. Check if the turntable plinth is level. If it is not enough, you can adjust the foot.



Technical Specification

Wow and Flutter: Less than 0.1%

Rumble: Greater than 80dB down

Speed accuracy: Within 0.01%

Motor speed control power supply: DC12V

WARRANTY

Opera audio guarantees each product manufactured by us to be free from defects in materials and workmanship under normal use. Our obligation under this warranty is limited to making good at our factory any part or parts thereof which shall, within 1 year after delivery to the original purchaser, be returned to us with transportation charges prepaid, and which an examination shall disclose to have been thus defective; this warranty being expressly in lieu of all other warranties expressed or implied and of all other obligations or liabilities on our part. This warranty shall not apply to any Opera audio product which shall have been repaired or altered outside of our factory in any way so as to affect its stability, nor which has been subject to misuse, negligence or accident. Warranties of the vacuum tubes are by the respective manufacturers, usually 90 days.

Please mail or e-mail the Registration Card to the address as follows:

The Opera Audio Co., Ltd.

No.2 JiuXianQiao Road

ChaoYang District

Beijing, China

Tel: 86 10 59789461

Fax: 86 10 59789265

support@opera-consonance.com

operaamp@vip.163.com

<http://www.opera-consonance.com>



Registration Card

Name
Address
City
State
Zip
Email
Telephone
Model
Serial
Number
Purchase
Date
Dealer