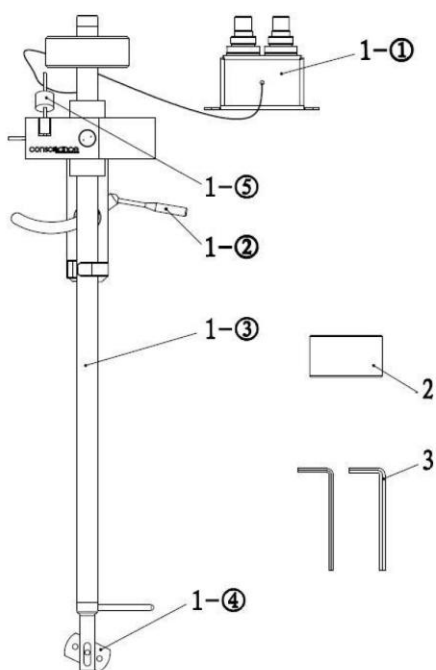


Allegro tonearm

Package contents

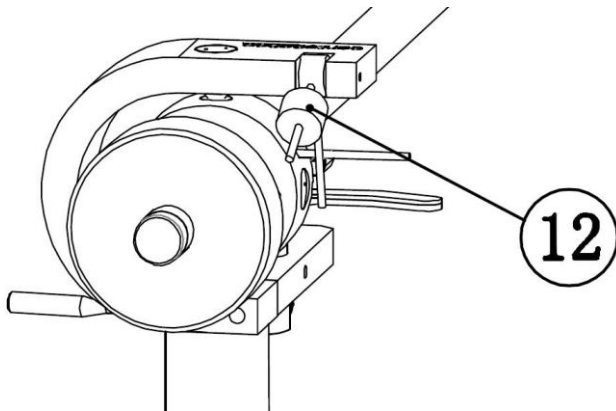
The **consonance Allegro** tonearm is packaged in special designed box to ensure its safety on the way. Please check the diagram in the below picture and in the part list description:



- 1-① . RCA connector
- 1-② . arm lift
- 1-③ . Aluminium tube
- 1-④ . Headshell
- 1-⑤ . Anti-skate weight
- 2. Counterweight
- 3. Allen wrench

Adjusting the Anti-skate

- a. Power off the turntable.
- b. Reverse the Strobe Disc. Place on platter.
- c. With the aid of the arm-lifter, gently lower the stylus onto the smooth surface near the outer edge of the Strobe Disc.
- d. Gently rotate the platter in the direction of play (Clockwise).
- c. Adjust rider weight (Part no.12) to ensure the cartridge moves parallel with the outer rim of the Strobe Disc and exhibits no excessive sideways movement in either direction.



TECHNICAL SPECIFICATION

Mounting distance arm base	214mm
Tone arm length	9"
Overhang	16mm
Offset	23 degree
Cartridge weight	4-22g
Mass (without counterweight)	53g
Counterweight	65g