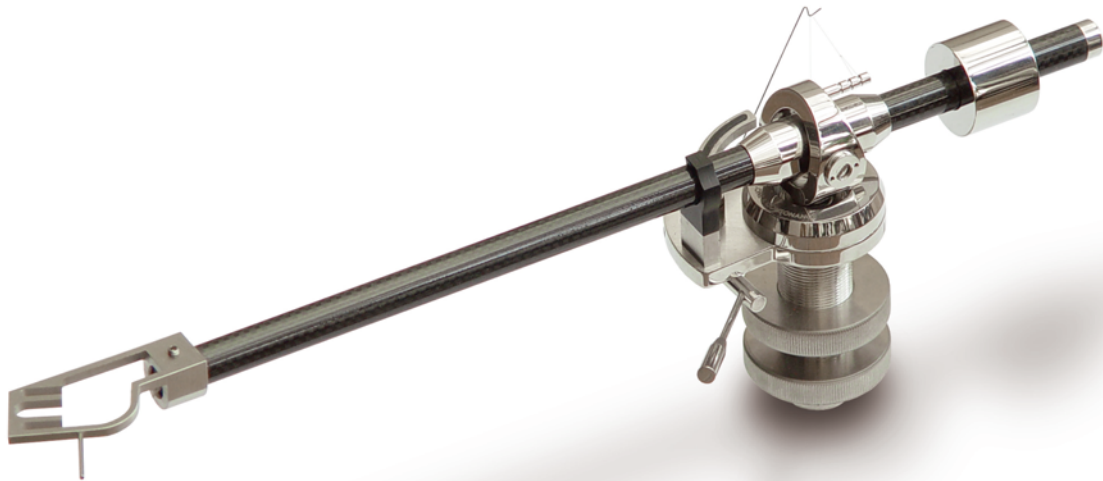




a-one & consouance

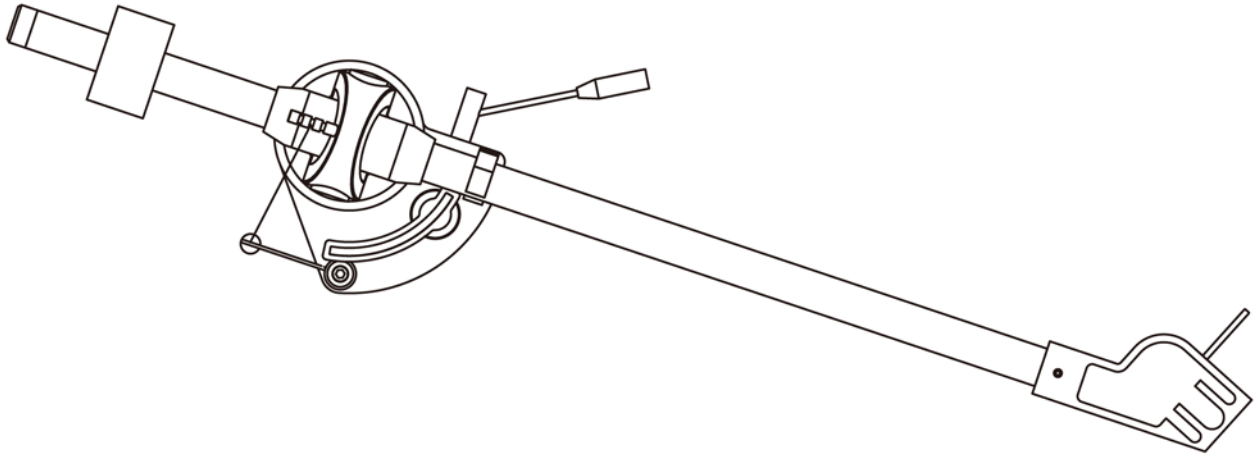


## STONE ARM SERIES **ST 100**

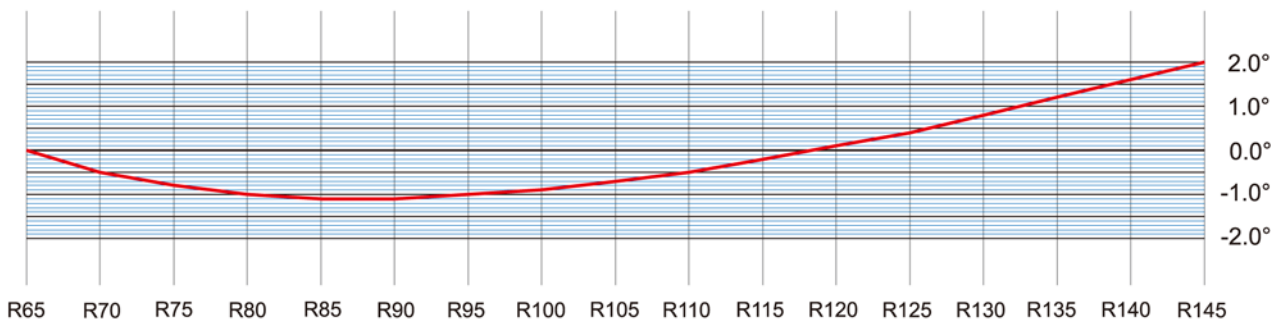
### Technical Data

Pivot system	Multi-pivot static balance system
Effective length (pivot to stylus)	230 mm (9")
Overhang	16mm
Offset	23.5 degree
Recommend cartridge weight	4-16g
Total weight ( without counter weight)	470g
Main counter weight	62g
Incidental counter weight	33g
Anti-skating weight	2g
Arm base and headshell	Stainless steel
Arm tube	Carbon fiber

TONE ARM SERIES  
**ST100**



Tracking error



ST100 9" (230MM)