

RCM-H Mute Vinyl Cleaner

Thank you for purchasing Mute Vinyl cleaner RCM-H. RCM-H has advanced technology at sucking and cleaning, when the sucking pipe absorbed the vinyl record, the brush will clean the groove in both positive and negative direction. Please carefully check the Part list and read these instructions for use and follow the directions given, any questions please contact local official dealers.

Part List

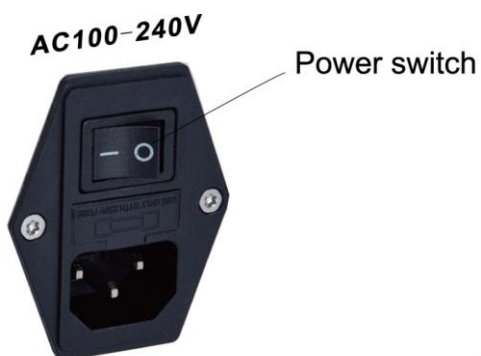
Mute Vinyl cleaner RCM-H
Vinyl Disc clamp
Power cable
User manual

Please note:

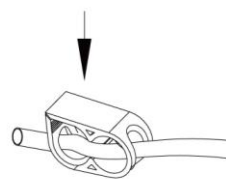
Please ensure the local voltage before switch on, and the drain pipe clamp is work safety.

Voltage: 100-240AC~

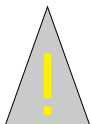
Dimension: 330 × 330 × 250 mm



Drain pipe clamp



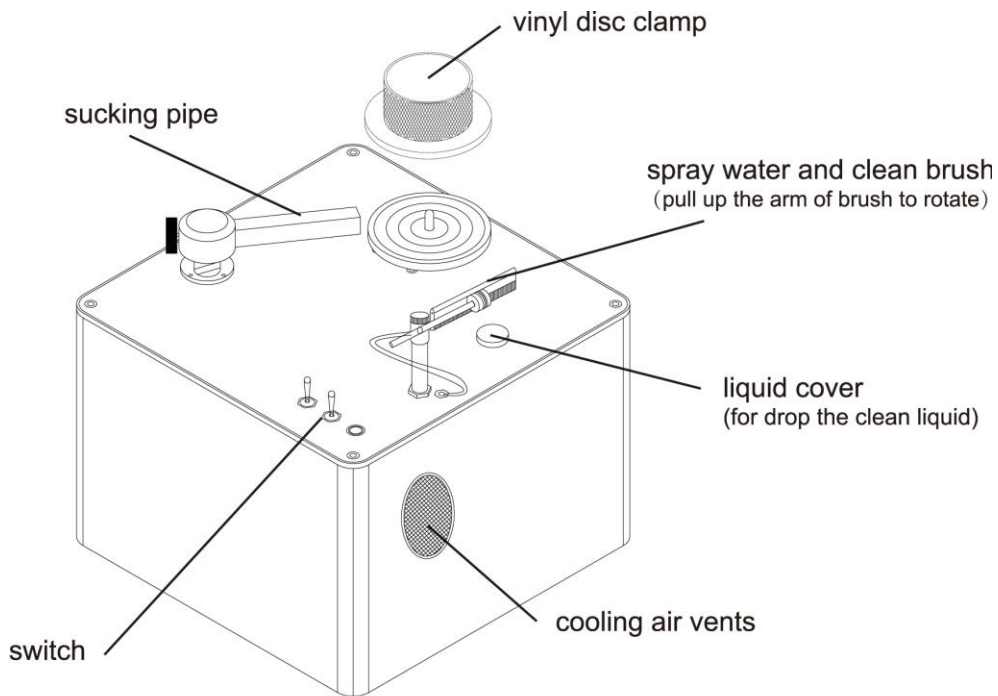
Graphic
(press down as the arrow direction)



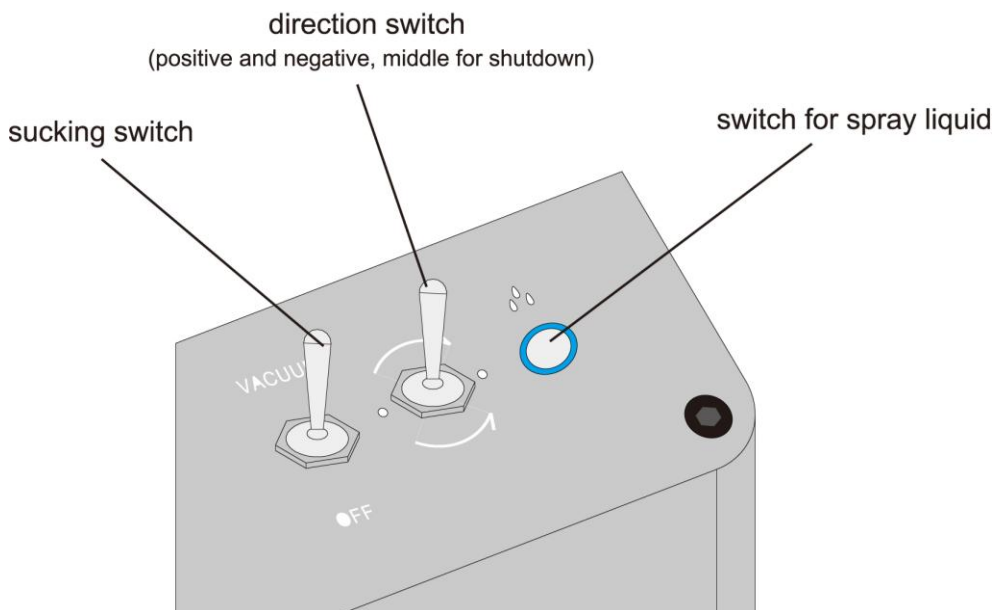
Warning: The cleaner may with a little drops of water, this is normal and does not influence the functioning of the cleaner.

Graphic instructions:

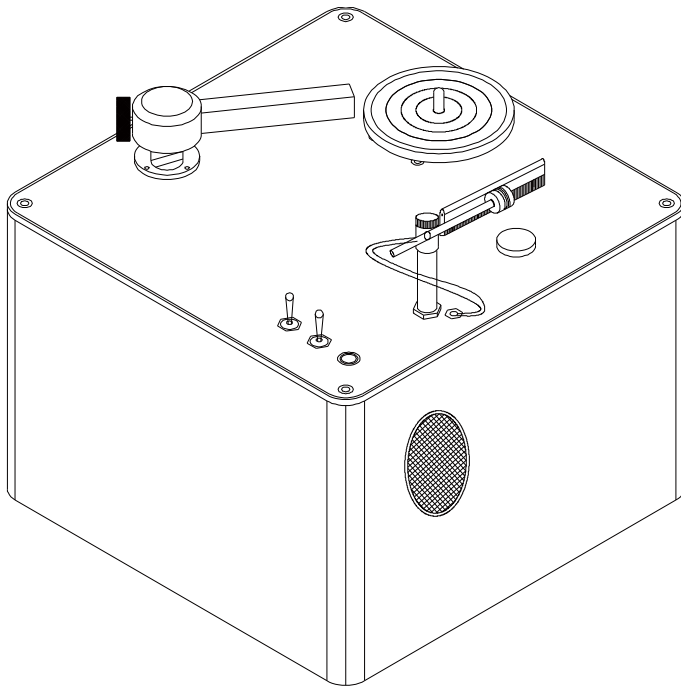
1. Open the liquid cover and drop the cleaning liquid no more than 200ML, the next time for drop must be after used up.



2. Please make sure the switch is off before get electricity.



Instructions for use:



1. Cover the record by vinyl disc clamp.
2. Put the sucking pipe and clean brush above the record.
3. Switch on the Vinyl cleaner and let it rotate in positive direction, press the switch for spray liquid slightly and shortly each time.
4. Turn the direction switch to negative. Step3 and 4 can be repeated as needed.
5. Switch on the sucking switch and remove the clean brush. After the liquid was dry, shut down the sucking switch and then the direction switch. (positive and negative direction can be changed)
6. Remove the sucking pipe and vinyl disc clamp, clean the other side of record as above step.

Comments: the LED light of switch for spray liquid is keeping bright after the Vinyl cleaner switch on.

Please note:

1. Discharge the sewage water before drop the clean water by manual operation. (Important)
2. Discharge both the clean and sewage water, remove the power cable if the vinyl cleaner is not used for an extended period of time.
3. Drain pipe clamp must be tighten
4. The vinyl cleaner may has a few drops of water when open the box, it is normal and does not influence the functioning of the device.

WARRANTY

Opera audio guarantees each product manufactured by us to be free from defects in materials and workmanship under normal use. Our obligation under this warranty is limited to making good at our factory any part or parts thereof which shall, within 1 year after delivery to the original purchaser, be returned to us with transportation charges prepaid, and which an examination shall disclose to have been thus defective; this warranty being expressly in lieu of all other warranties expressed or implied and of all other obligations or liabilities on our part. This warranty shall not apply to any Opera audio product which shall have been repaired or altered outside of our factory in any way so as to affect its stability, nor which has been subject to misuse, negligence or accident. Warranties of the vacuum tubes are by the respective manufacturers, usually 90 days.

Please mail or e-mail the Registration Card to the address as follows:

The Opera Audio Co., Ltd.

No.2 JiuXianQiao Road

ChaoYang District

Beijing, China

Tel: 86 10 59789461

Fax: 86 10 59789265

support@opera-consonance.com

www.opera-consonance.com



Registration Card

Name
Address

City
State
Zip
Email
Telephone
Model
Serial
Number
Purchase
Date
Dealer