

Die Walküre in the Air Turntable

User Guide

Congratulations on your new CONSONANCE!

The CONSONANCE Audio products are based on a simple philosophy: The component shall reproduce the original musical sound, purely and naturally. The products are easy to operate and are manufactured according to the best quality principles.

All CONSONANCE products are created with acoustical instruments in a concert situation as point of reference. The music is reproduced exactly like the original and is limited only by the quality of the recording. Our aim is to give you the best possible music experience!

Contents

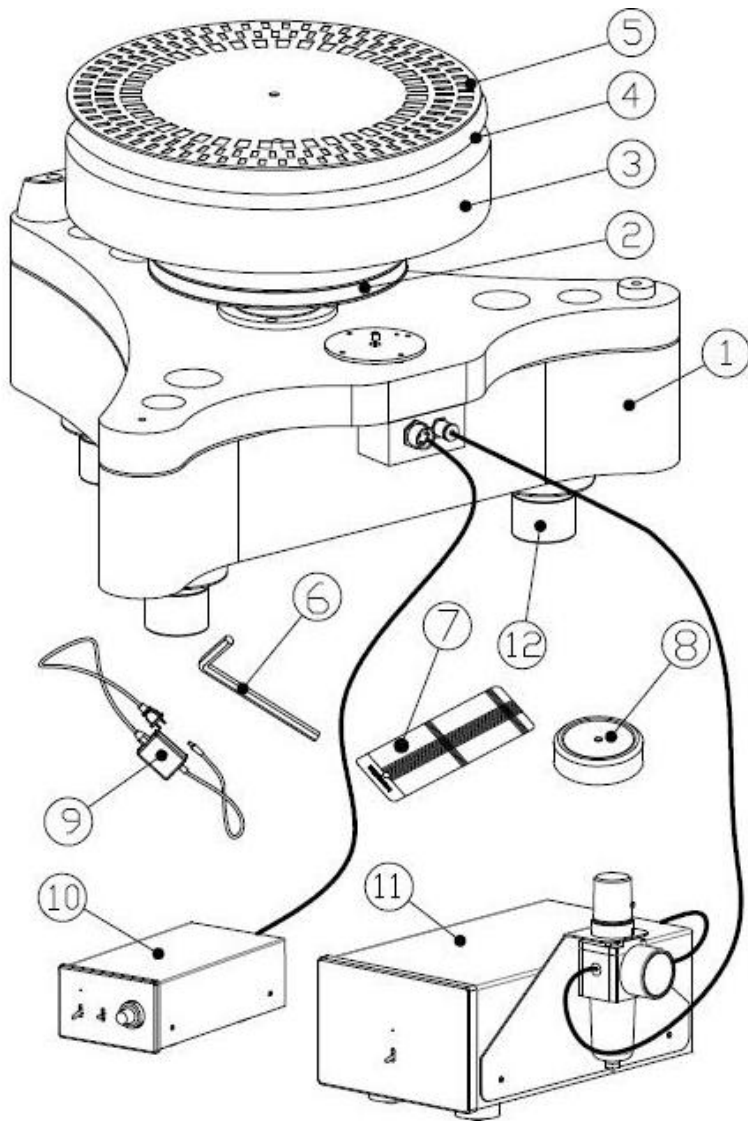
Part list

Assembling the Turntable

Technical specifications

Warranty

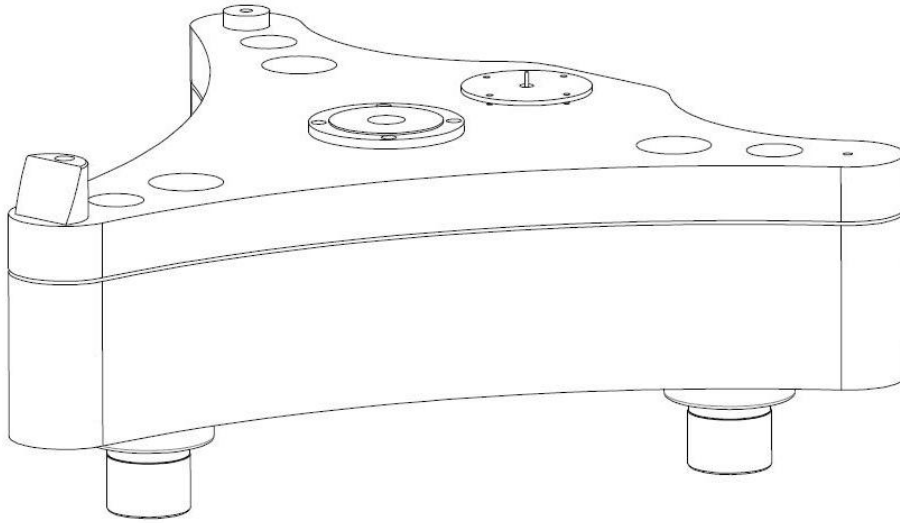
Part List



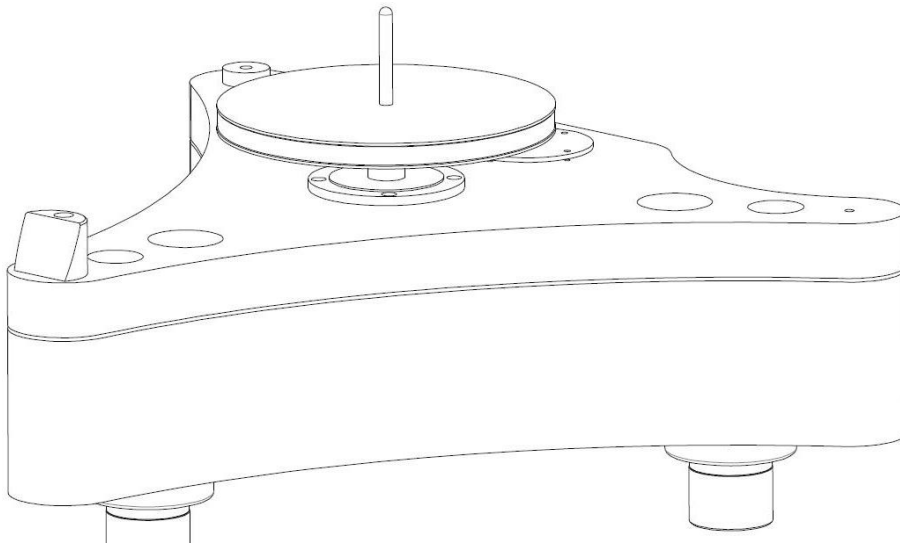
1. Plinth
2. Driven wheel
3. Platter
4. Mat
5. Strobe Disc
6. Allen wrench
7. Protractor
8. Level
9. DC5V power supply for Pump
10. Motor speed controller
11. Pump
12. Feet

Assembling the Turntable

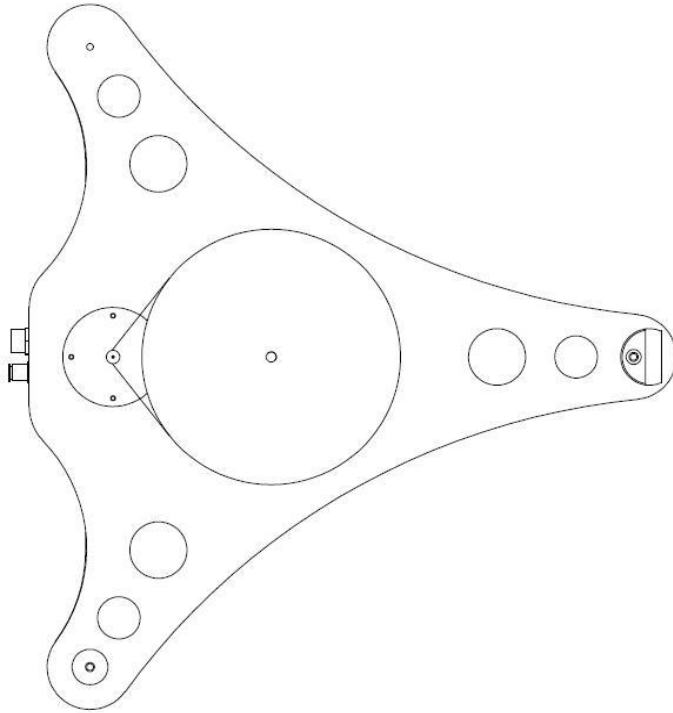
1. Open the box and take out the turntable plinth.



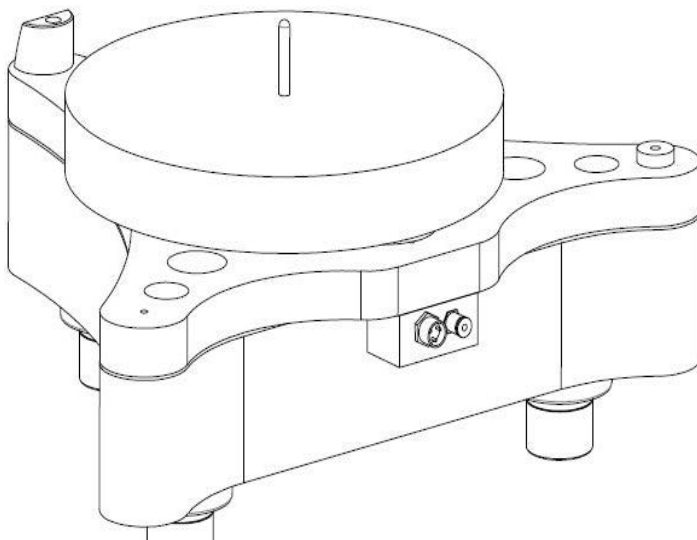
2. Installing the driven wheel.



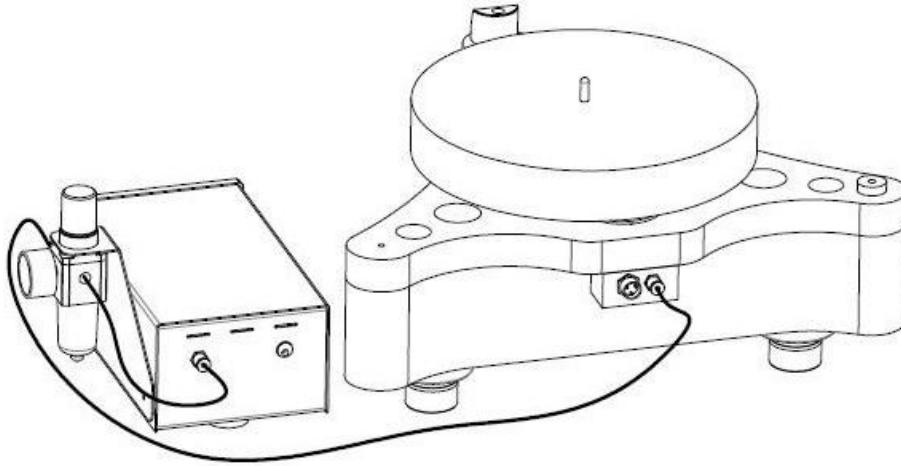
3. Take out one of the drive 'belts' and run it round the motor spindle and then round the driven wheel.



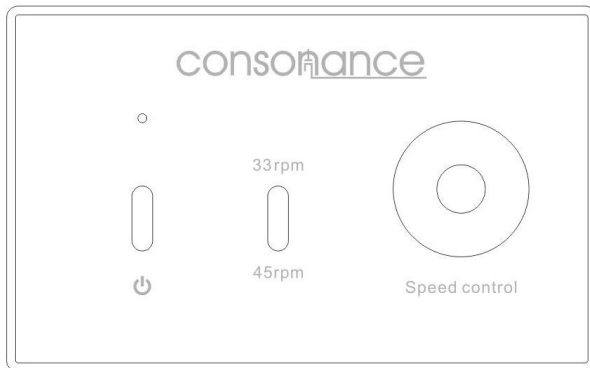
4. Install the platter and Mat.



5. Remove the pump from the package. Follow the picture, make sure it use the air tube to connect with the water separator and tonearm. Then turn on pump. If the installation is correct, barometer will show about 0.03MPa. Make sure the air bearing move is very smooth.



6. From left to right is: power on/off switch, 33/45 speed selection switch, speed adjustment knob. Put the Strobe Disc on the platter, and adjust the speed controller knob to get the 33.3rpm or 45rpm. The corresponding circle on Strobe Disc will display stable stripes.



Technical Specification

Wow and Flutter: Less than 0.1%

Rumble: Greater than 80dB down

Speed accuracy: Within 0.01%

Warranty

Opera audio guarantees each product manufactured by us to be free from defects in materials and workmanship under normal use. Our obligation under this warranty is limited to making good at our factory any part or parts thereof which shall, within 1 year after delivery to the original purchaser, be returned to us with transportation charges prepaid, and which an examination shall disclose to have been thus defective; this warranty being expressly in lieu of all other warranties expressed or implied and of all other obligations or liabilities on our part. This warranty shall not apply to any Opera audio product which shall have been repaired or altered outside of our factory in any way so as to affect its stability, nor which has been subject to misuse, negligence or accident. Warranties of the vacuum tubes are by the respective manufacturers, usually 90 days.

Please mail or e-mail the Registration Card to the address as follows:

The Opera Audio Co.,Ltd

804, Building 1, No.2, Jiangtai West Road

Chaoyang District, Beijing, China

Tel: 86 10 64378963

support@opera-consonance.com

www.opera-consonance.com

Registration Card

Name
Address
City
State
Zip
Email
Telephone
Model
Serial Number
Purchase Date
Dealer