

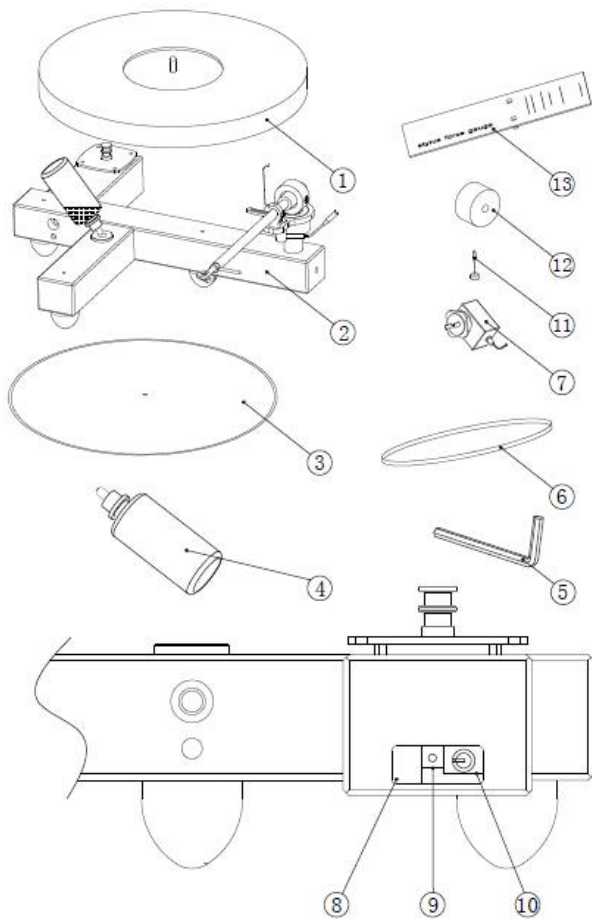
# WAX ENGINE

## USER GUIDE

The CONSONANCE WAX ENGINE turntable tonearm combination is built to precision engineering standards. These instructions have been compiled to cover assembly adjustment and installation procedures. Please read carefully as you proceed.

## CONTENTS

Partlist	p.2
Assembling the Turntable	p.3
Rear Panel illustration	p.5
Fitting the Cartridge, Tonearm Alignment and Counterweight	p.6
Bias adjustment (Anti-skate)	p.7
Connecting to the amplifier	p.8
Technical specification	p.9
Appendix	p.9
Warranty	p.9
Registration	p.10

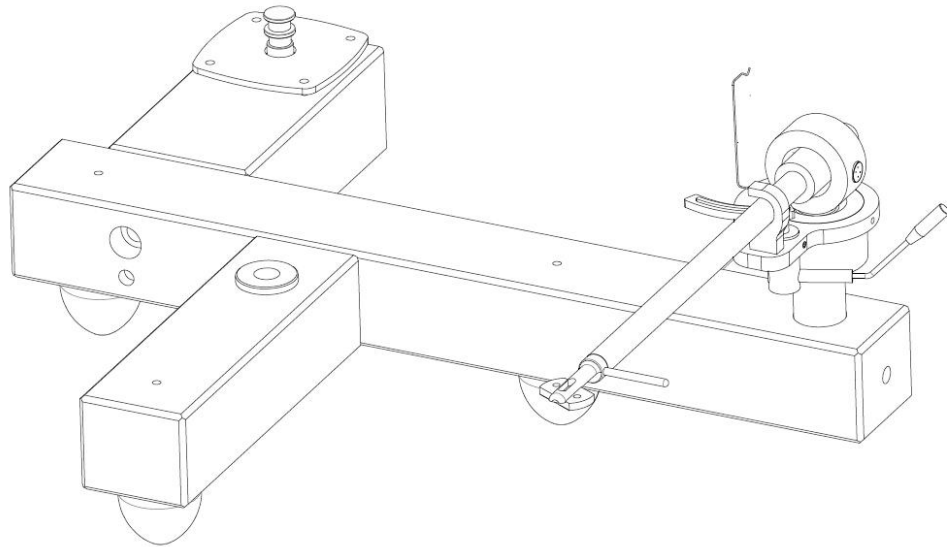


## PART LIST

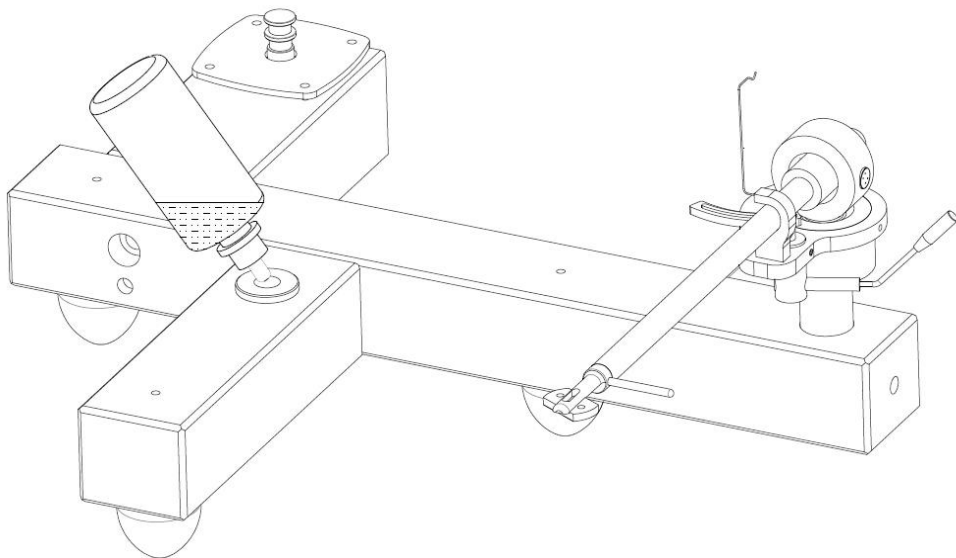
1. Platter
2. Base plate and tonearm
3. Strobe disc
4. Lubrication oil
5. 5mm socket wrench
6. Belt
7. Power switch
8. Power supply socket
9. Speed adjustment potentiometer
10. On/Off switch
11. Anti-skate weight
12. Counterweight
13. Stylus pressure gauge

## ASSEMBLING THE TURNTABLE

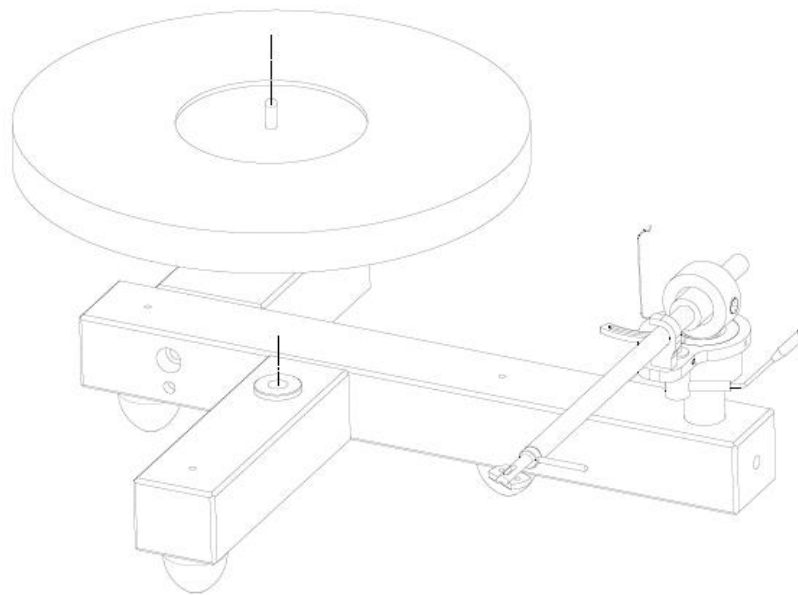
1. Remove Base plate and tonearm (Part no. 2) from carton.



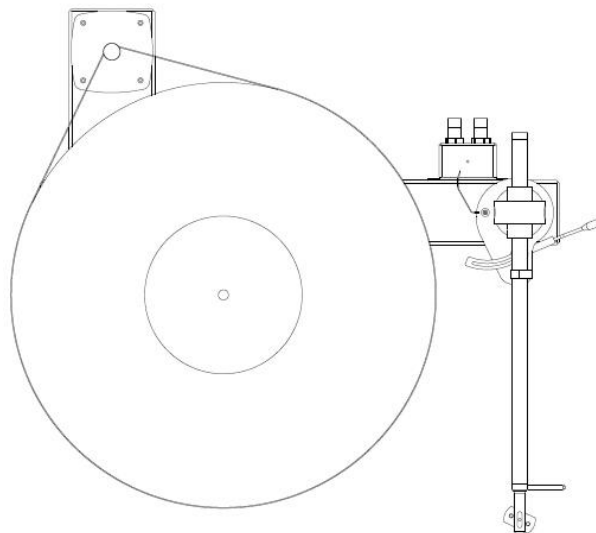
2. Fill two drops lubrication oil (Part no. 4) to the bottom bearing housing.



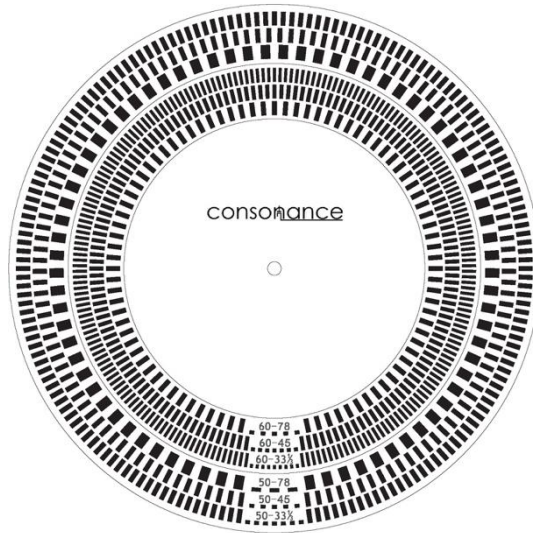
3. Hold platter (Part no. 1) level over the bearing housing, locate it carefully and gently lower it into the bearing housing.



4. Installing the belt: Start with the belt (Part no. 6) around the motor pulley, take care the other end clears the centre spindle and rotate the platter (Part no. 1), the belt will track around the platter. We recommend a  $\frac{1}{2}$  twist be applied to the belt on the motor pulley:



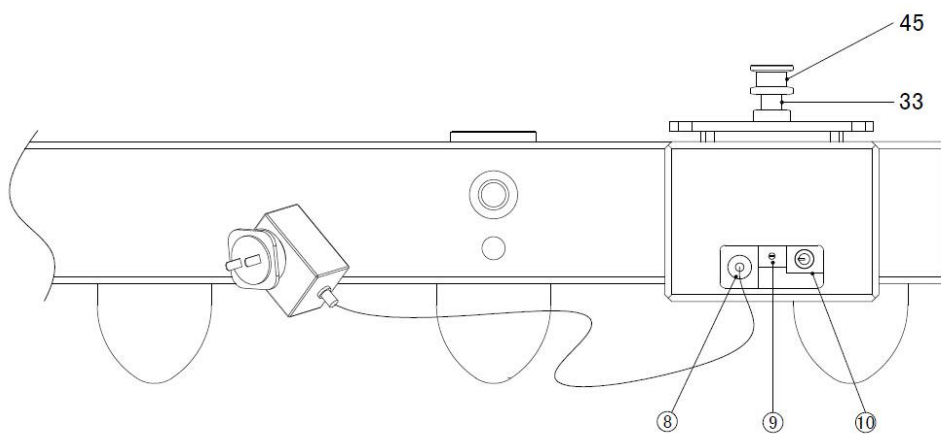
5. There are two grooves on the motor pulley for different speeds. The above groove is for 45 rpm, and the lower groove is for 33.3 rpm. Speed is factory adjusted. If you wish to check the speed place the strobe disc on the platter and using a suitable filament light (Lamp) gently adjust speed potentiometer (Part no. 9) to achieve correct speed.



*Strobe disc*

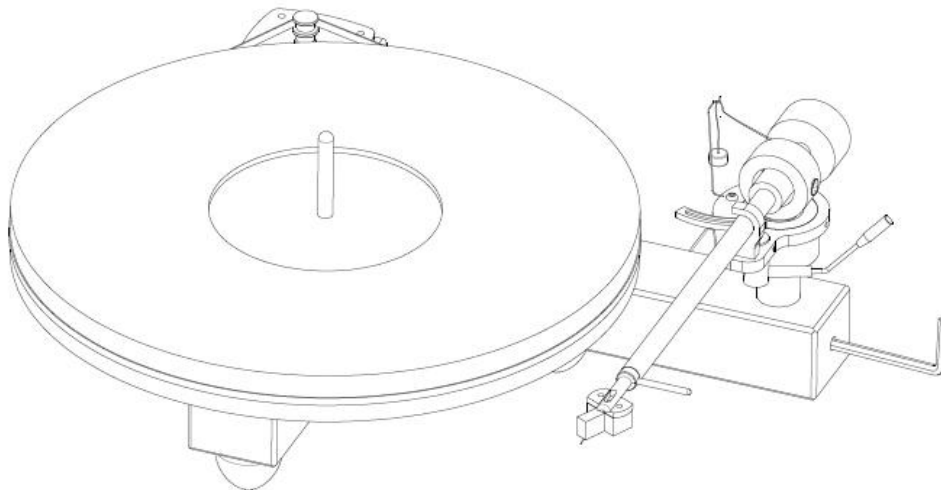
## REAR PANEL ILLUSTRATION

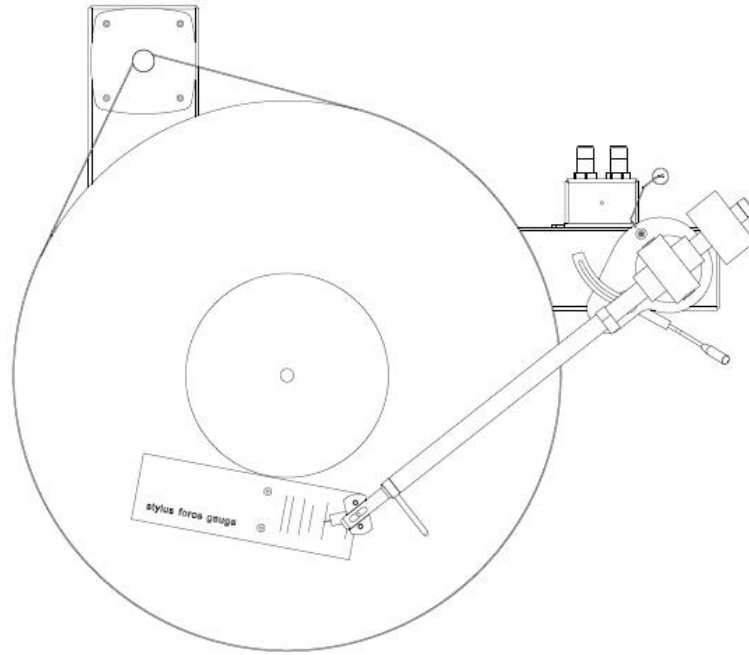
- Part no. 8 – Power supply socket
- Part no. 9 – Speed adjustment potentiometer
- Part no. 10 – On/Off switch



## **FITTING THE CARTRIDGE, TONEARM ALIGNMENT AND COUNTERWEIGHT**

1. Install the cartridge onto the headshell using the colour coded terminals as to the cartridge manufacturers recommendation.
2. Align the cartridge in headshell, set angle with protractor provided. And make sure the overhang is 16mm.
3. Install the counterweight on the rear of the tonearm. Set the tracking force by gently rotating the counterweight to apply the correct tracking force as to the cartridges manufacturers recommendation using stylus tracking force gauge as supplied.
4. VTA (Vertical tracking angle) can be set by raising or lowering tonearm in base only gentle force is required to adjust socket head screw.

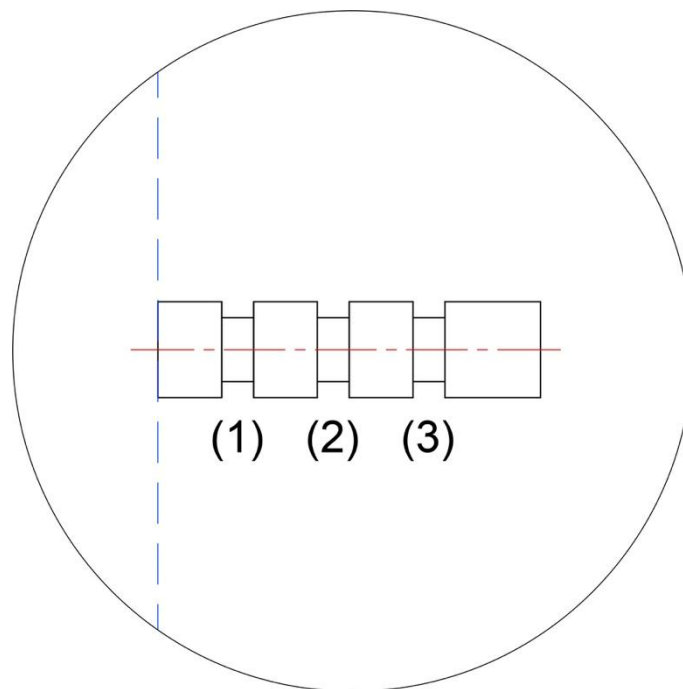




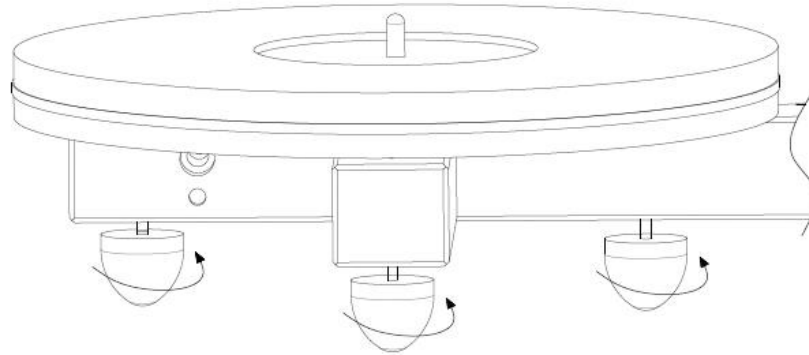
## BIAS ADJUSTMENT (ANTI-SKATE)

This adjustment is achieved according to the tracking force of the cartridge.

- 1.0g to 1.4g is the groove closest to the pivot point.
- 1.4g to 1.9g is the 2<sup>nd</sup> groove from the pivot point.
- 1.9g and above is the 3<sup>rd</sup> groove from the pivot point.



## THE THREE RUBBER FEET ARE ADJUSTABLE

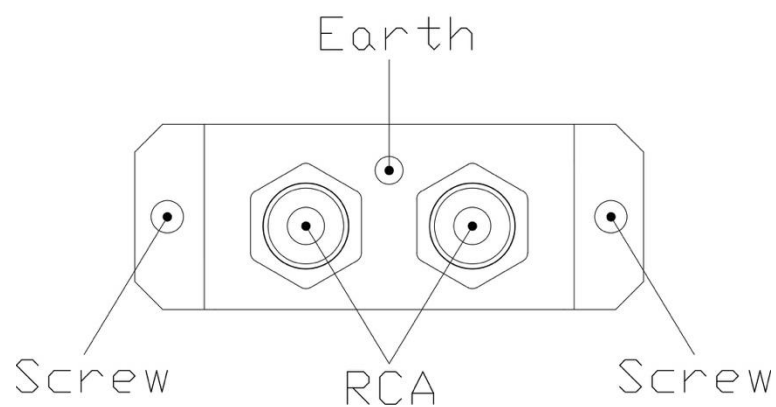


## CONNECTING TO THE AMPLIFIER

Please use quality screened interconnect cable and connect to the amplifier maintaining the correct channel identification denoted by the red and black colour coding on the RCA sockets at the rear of the tonearm connection block.

**Note:** *This product must be earthed.*

Use black cable attached to the tonearm connection block to attach to a suitable earth terminal or point on the amplifier.





## **TECHNICAL SPECIFICATION**

- Voltage: 12VDC, 1A adaptor
- Tonearm: 9" effective length
- Speed accuracy: Within 0.01%
- Motor power supply: 12VDC, 1A
- Dimensions (H x W x D): 145 x 385 x 345mm
- Weight: 5.65kg

## **APPENDIX**

We hope these instructions have helped in the assembly of your turntable and tonearm. Care for it will benefit the long life of the product and ease of use.

Always place on a clean and level surface. Do not use any other lubricant than supplied. Do not attempt to remove any screws or parts than directed in this user guide! Doing so will void warranty. Keep the turntable clean by dusting with due care for the safety of the cartridge and stylus. A small silk or similar cover can be used as a dust cover but again special care must be take not to damage cartridge or stylus.

## **WARRANTY**

Opera Audio Co.,Ltd warrants all CONSONANCE products to be free of manufacturing defects in material and workmanship for a period of 12 months from the date of purchase by the original purchaser. Opera Audio Co., Ltd is absolved from any problems caused by misuse.

**Please mail or e-mail the Registration Card to the address as follows:**

**The Opera Audio Co., Ltd.**

No.2 JiuXianQiao Road,

Chaoyang District

Beijing, China

Tel: 86 10 59789461

Fax: 86 10 59789265

**support@opera-consonance.com**

**www.opera-consonance.com**



**Registration Card**

Name
Address
City
State
Zip
Email
Telephone
Model
Serial Number
Purchase Date
Dealer